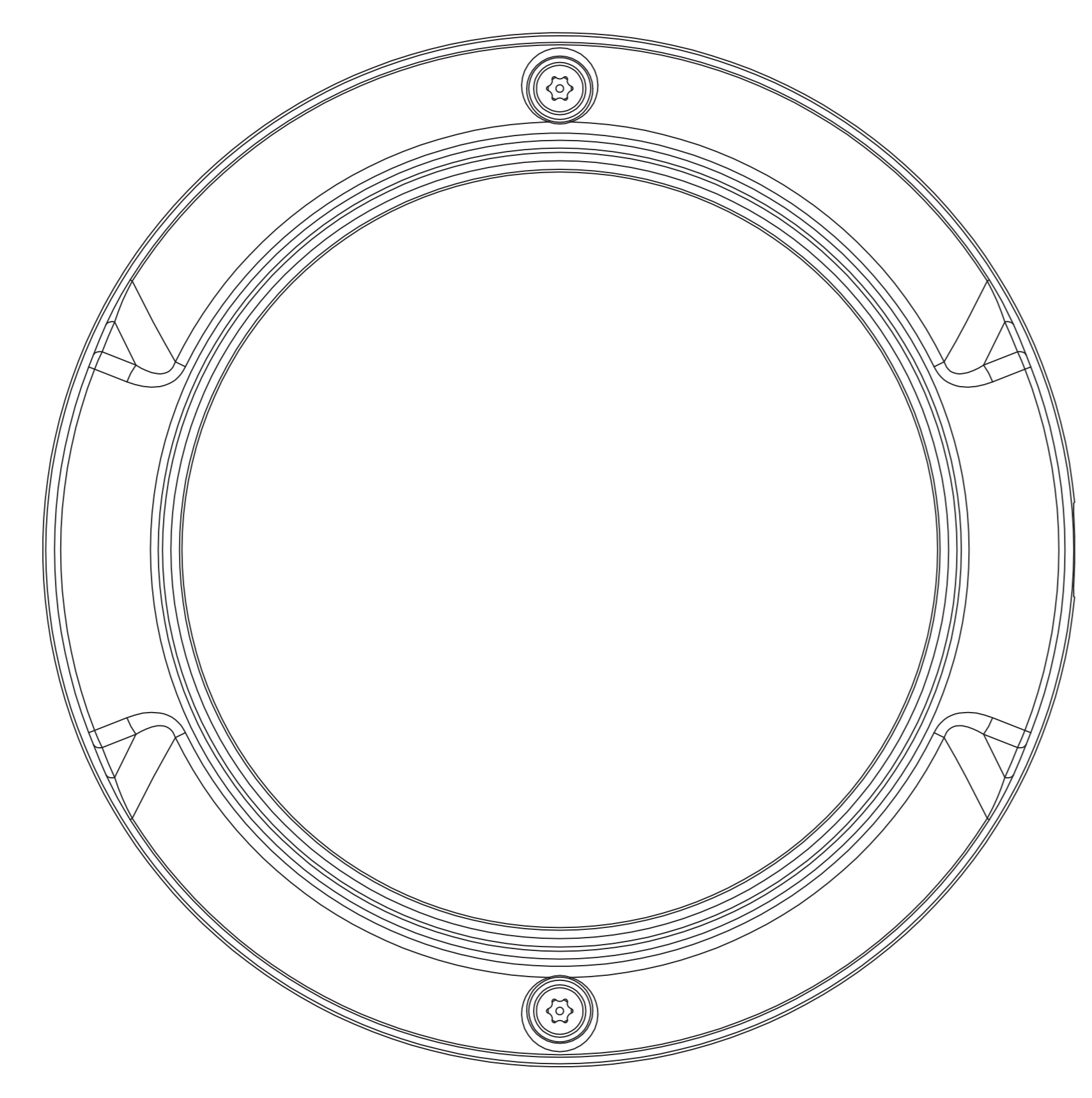
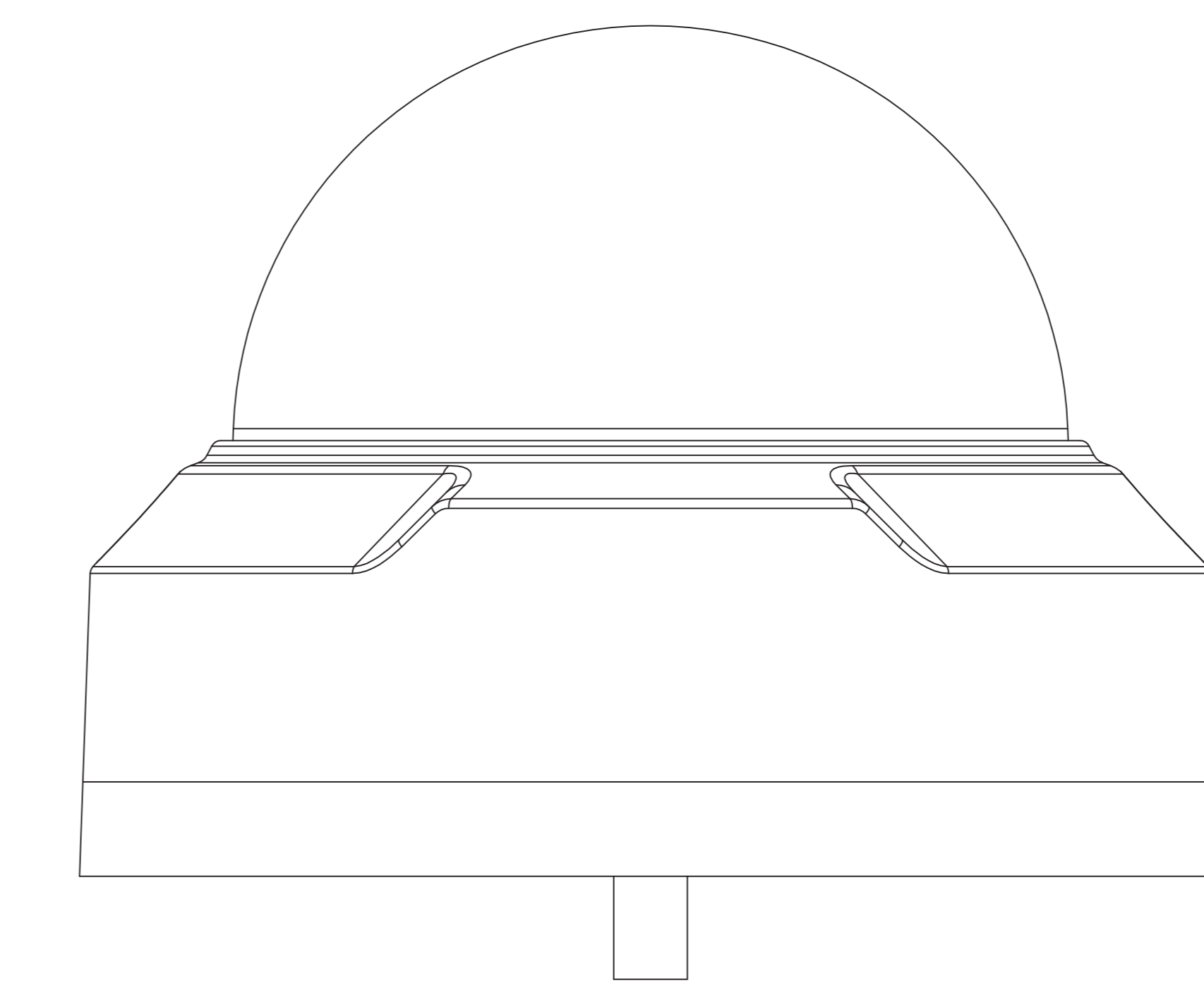
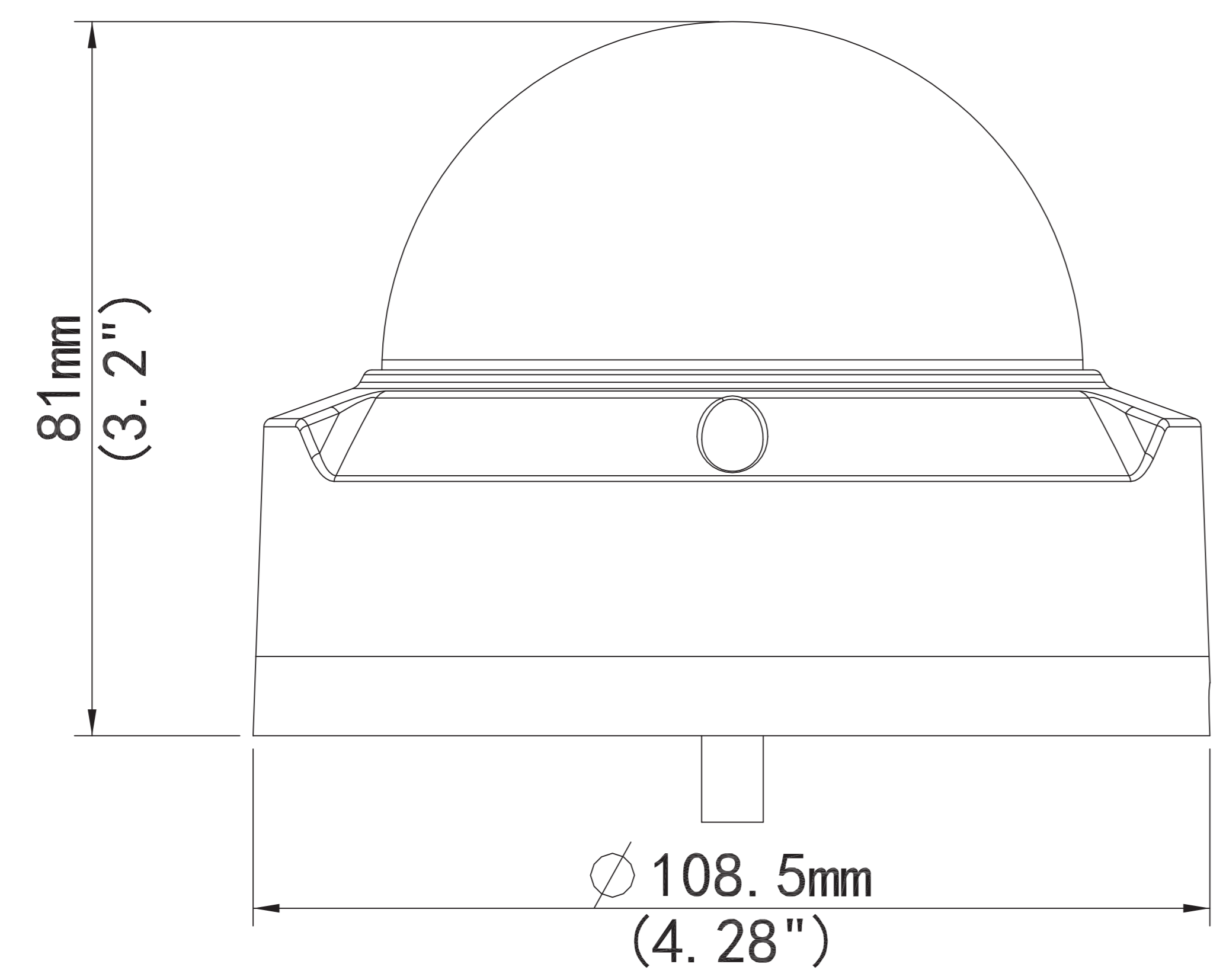
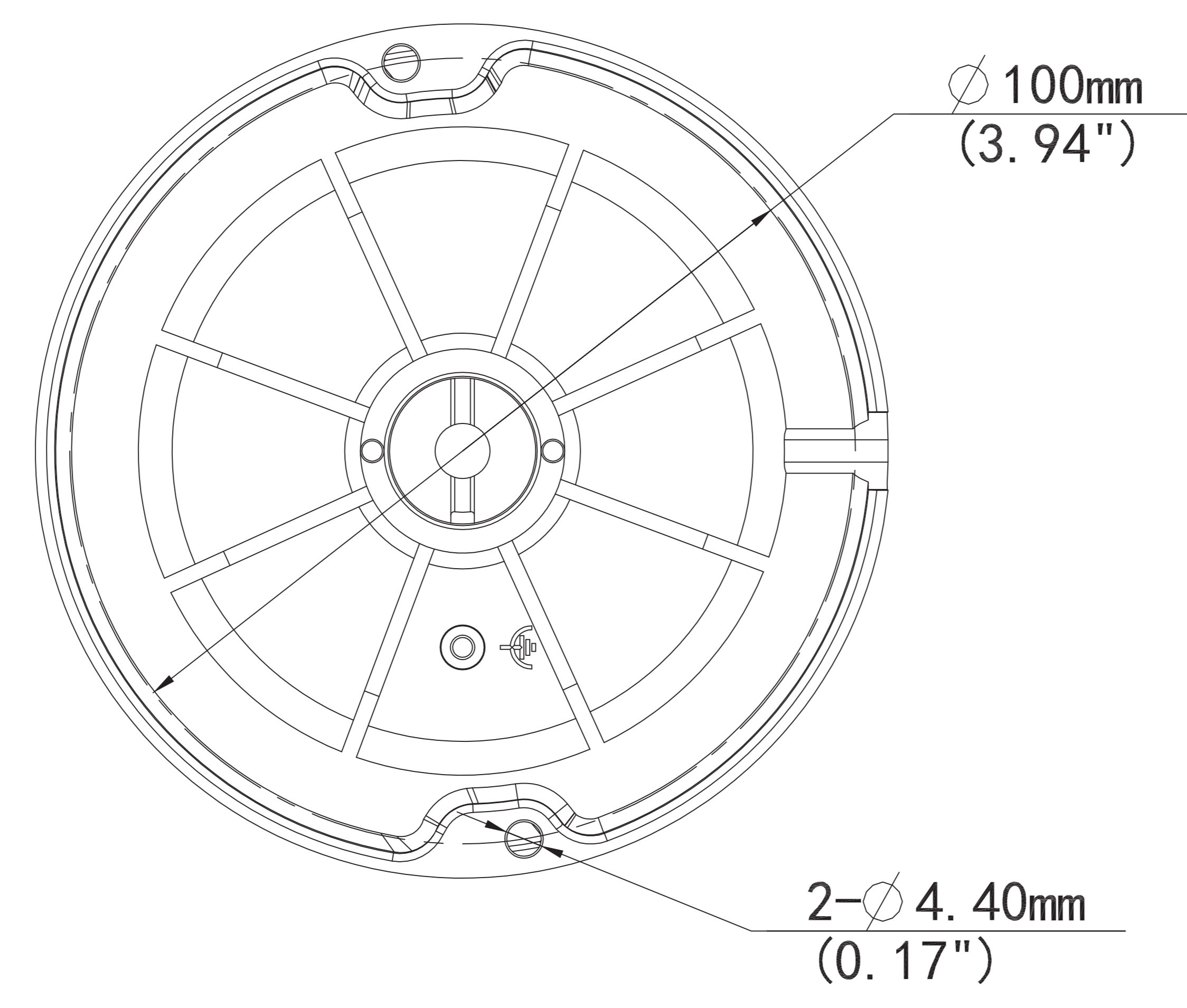
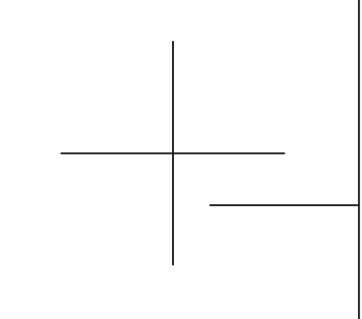
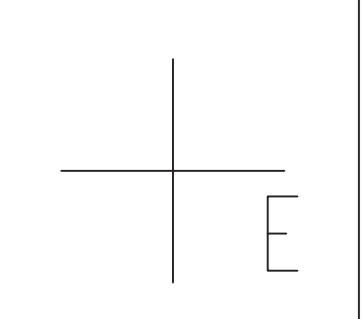


REV	ECO NO.	DESCRIPTION



DRAW: _____		DATE: _____		UNIT'S: MM		DWG NO.:	
CHKD: _____		DATE: _____		FINISH: A000		PART NO.:	
STAD: _____		DATE: _____		MASS(Kg):		REV	
APPD: _____		DATE: _____		SCALE: 1:1			
PRODUCT: _____				SHEET: OF		MAT'L:	

RELEASE LEVEL: _____
FILE NAME: _____



A2