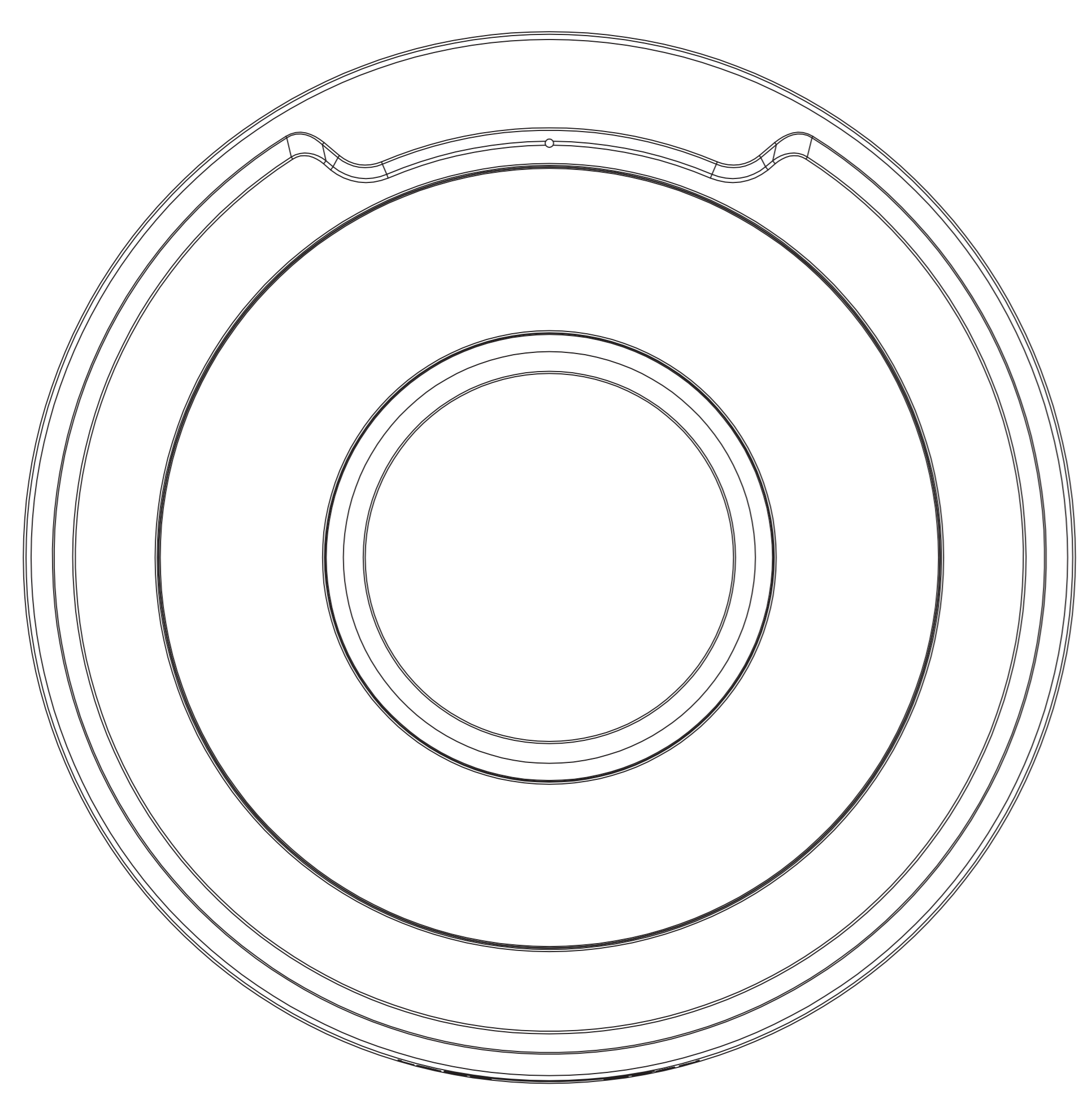
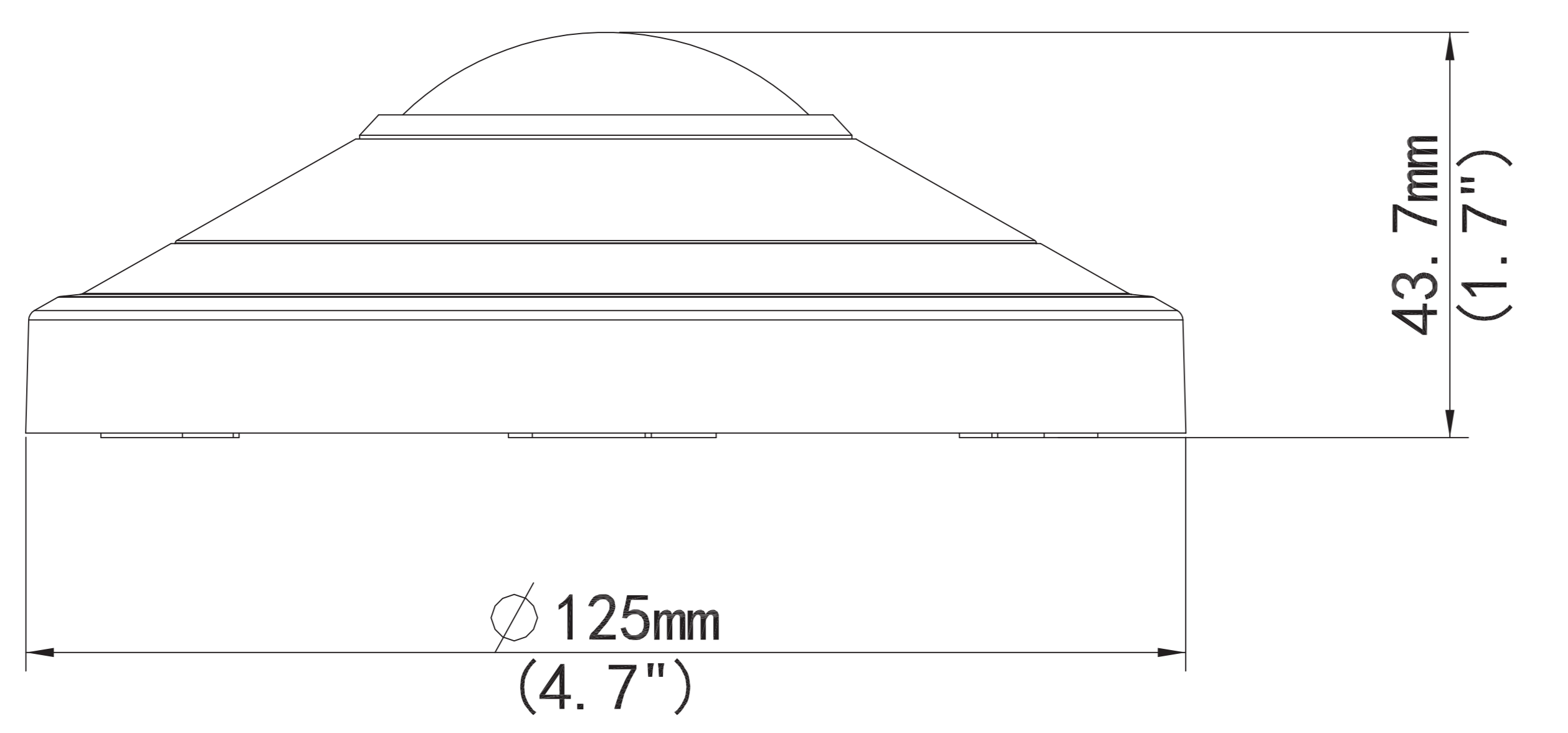
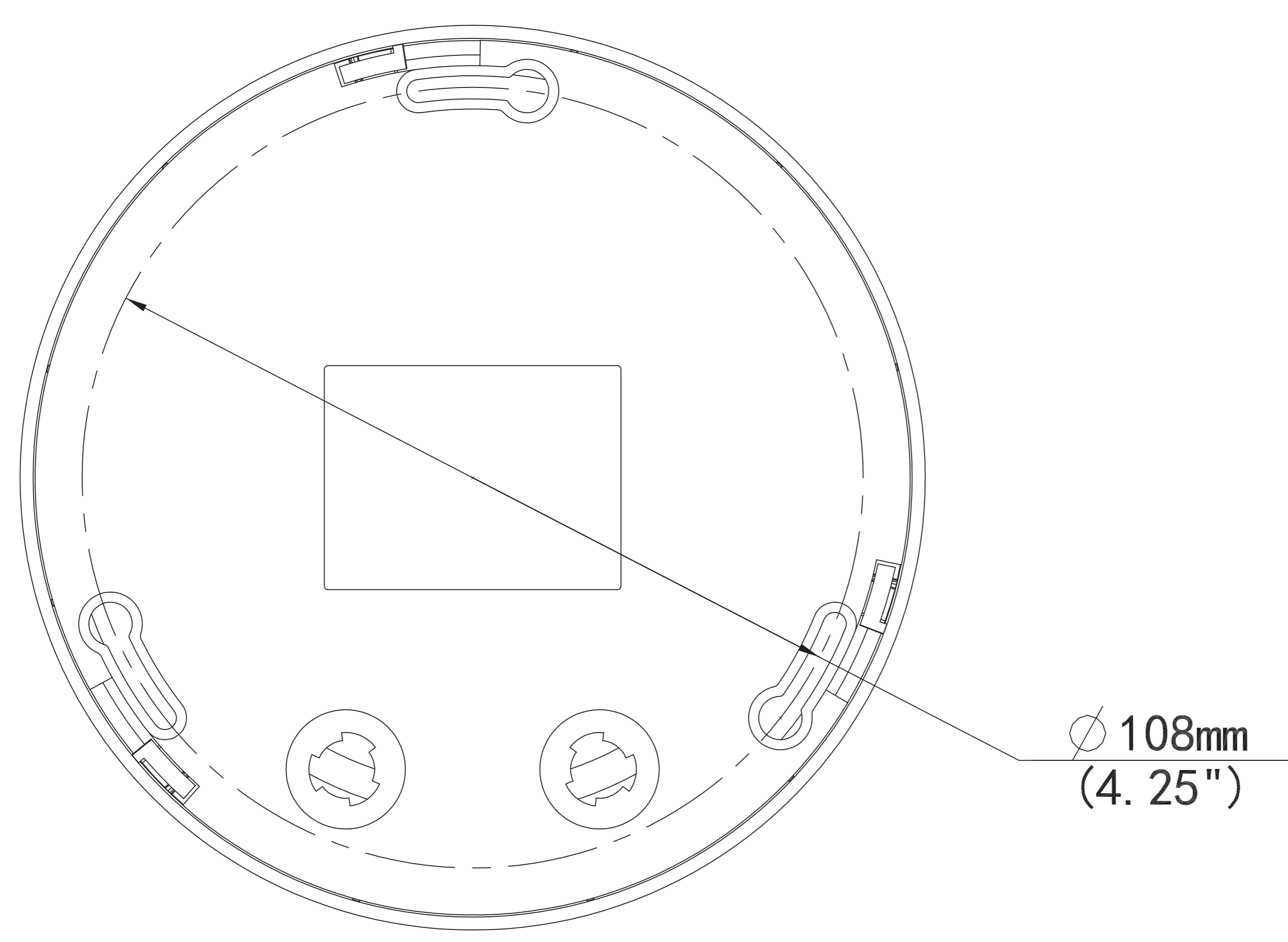


REV	ECO NO.	DESCRIPTION



DRAW:		DATE:		UNIT'S: MM		DWG NO.:	
CHKD:		DATE:		FINISH:		PART NO.:	
STAD:		DATE:		MASS(Kg):		REV	
APPD:		DATE:		SCALE: 1:1			
PRODUCT:				SHEET: OF		MAT'L:	

RELEASE LEVEL:
FILE NAME:
A2